

If your monitor belongs to the Samsung Odyssey Series, please see the following installation steps.

A VESA Adapter (BRACKET WALL) must be used to allow mounting to VESA monitor arms.

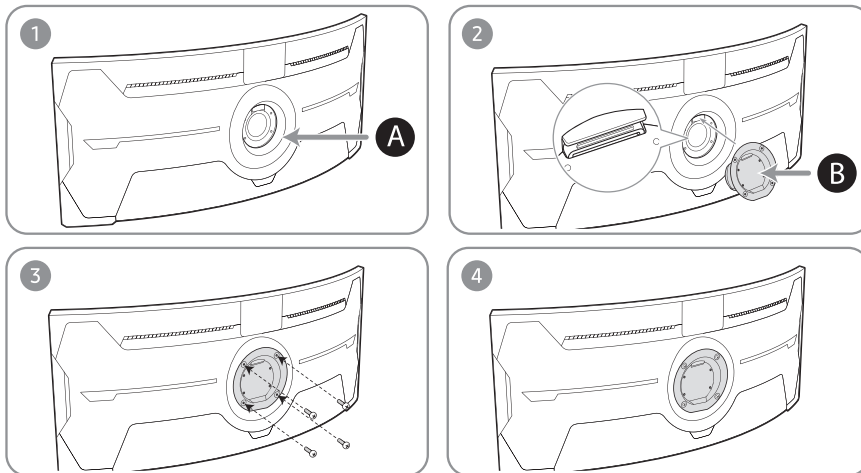
(The “BRACKET WALL” is in the original packaging with the Samsung Odyssey Monitor. Please contact your place of purchase if you did not receive one or need to purchase another one.)

Note: “BRACKET WALL” is not included with our products.

Attaching the BRACKET WALL

Step 1: Power the Monitor off and remove the power cable from the power socket.

Samsung Odyssey G9 57” : S57CG95

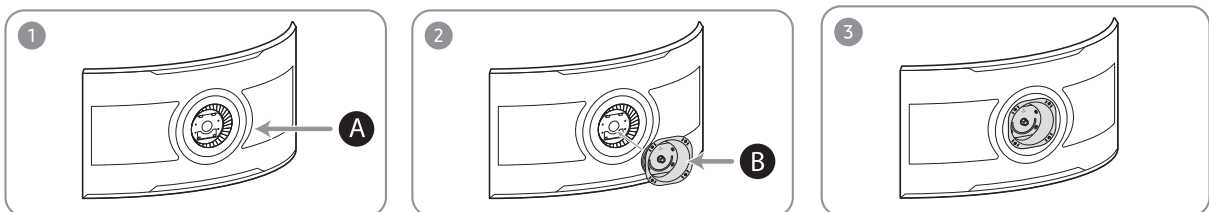


A Attach the BRACKET WALL here

B BRACKET WALL

Align **B** with **A** on the monitor, then tightly fasten with the screws removed from the stand.

Samsung Odyssey Ark 55” : S55BG97 | S55CG97



A Attach the BRACKET WALL here

B BRACKET WALL

Align **B** with **A** on the monitor, and tightly fasten the screws on **B**.

If there is a problem that does not appear in this guide, or if it cannot be solved through consulting the installation manual, please contact us directly via support@siig.com